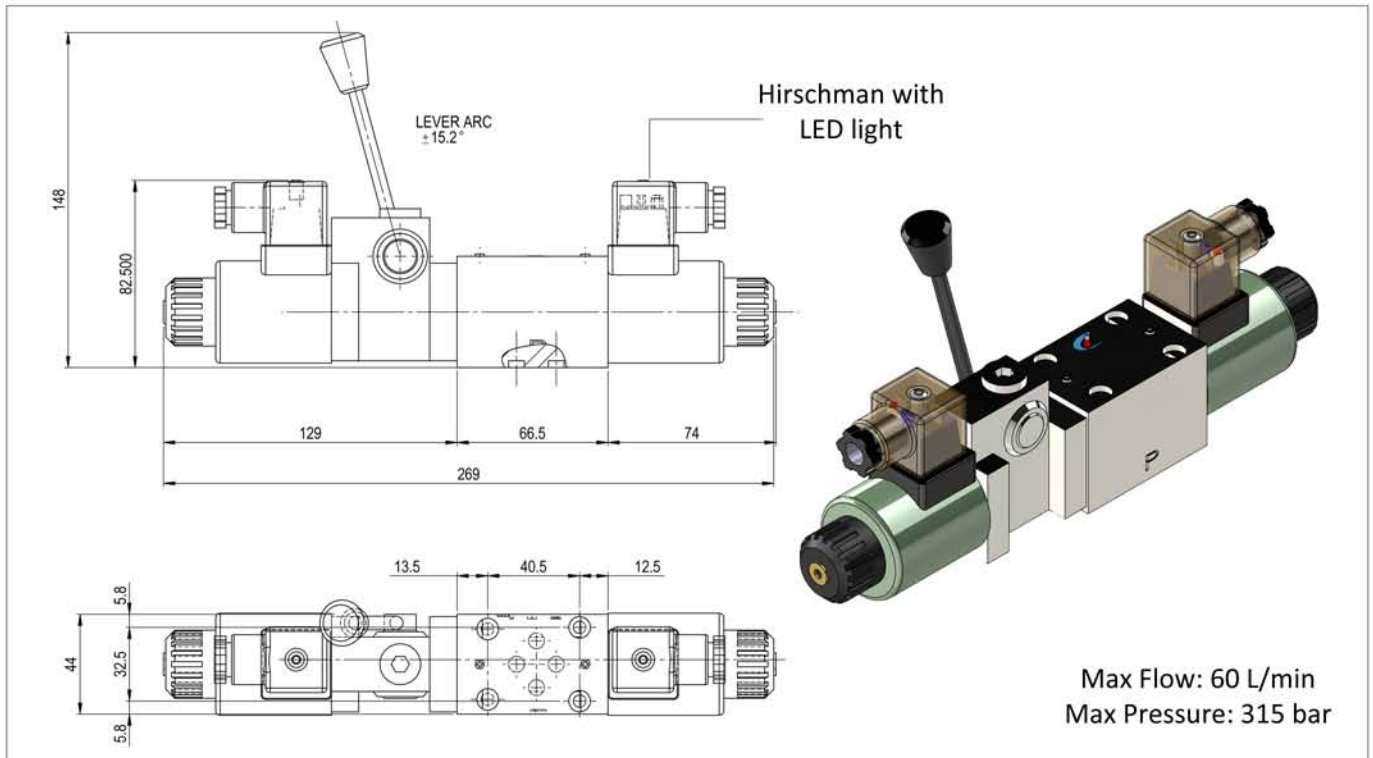


CETOP 3 SOLENOID VALVES

Cetop Valve With Manual Lever Override



Circuit	Part No	Voltage	Description
	4DWG6-EL-E-60/DC12Z5L	12DC	Closed Centre
	4DWG6-EL-E-60/DC24Z5L	24DC	
	4DWG6-EL-E-60/AC110Z5L	110AC	
	4DWG6-EL-E-60/AC220Z5L	220AC	
	4DWG6-EL-G-60/DC12Z5L	12DC	A B Blocked P-T Connected
	4DWG6-EL-G-60/DC24Z5L	24DC	
	4DWG6-EL-G-60/AC110Z5L	110AC	
	4DWG6-EL-G-60/AC220Z5L	220AC	
	4DWG6-EL-H-60/DC12Z5L	12DC	All Ports Connected
	4DWG6-EL-H-60/DC24Z5L	24DC	
	4DWG6-EL-H-60/AC110Z5L	110AC	
	4DWG6-EL-H-60/AC220Z5L	220AC	
	4DWG6-EL-J-60/DC12Z5L	12DC	A B-T
	4DWG6-EL-J-60/DC24Z5L	24DC	
	4DWG6-EL-J-60/AC110Z5L	110AC	
	4DWG6-EL-J-60/AC220Z5L	220AC	

In Standard configuration these valves are supplied with Hirschman connectors which are IP57 rated. For more arduous conditions we can offer coils with Deutsch connectors that are IP69K rated.